



BT75 18

FLAT SCREEN WALL MOUNT WITH TILT AND SWIVEL

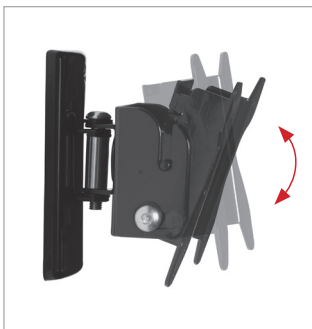
Designed to mount small flat screens, this wall mount features both swivel and tilt functions. With the distance to wall at 93mm it allows easy positioning and a full 360° rotation of the screen. Cover plates are included to hide fixings helping make this a neat and tidy mounting solution. BT7518 is also collar compatible for alternative mounting solutions, ideal for commercial applications as well as home installations.

SPECIFICATION

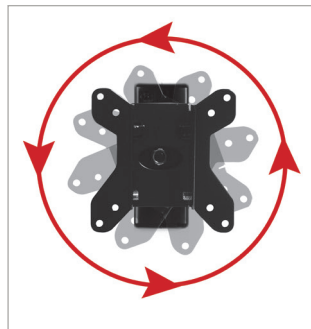
Recommended screen size	up to 28"
Max load	20kg
VESA® compatibility	75 x 75 & 100 x 100
Extension	93mm
Tilt	+17/-10°
Swivel wall mounted	50°
Swivel pole mounted	180°
Screen rotation	360°
Colour	Black

FEATURES

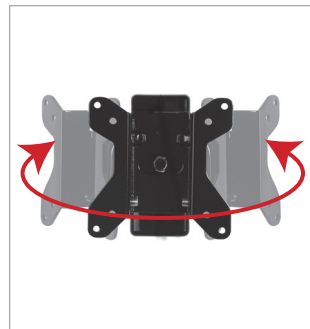
- Fits screens with VESA mounting patterns: 75 x 75mm and 100 x 100mm
- Easy tilt, swivel and screen rotation adjustment
- Mounts screen only 93mm from the wall
- Features 'OWLS' On Wall Levelling System
- Security locking screws and Allen key provided for secure installation
- Simple 'hook-on' installation with all mounting hardware included
- Compatible with B-Tech accessory collars



Easy tilt adjustment



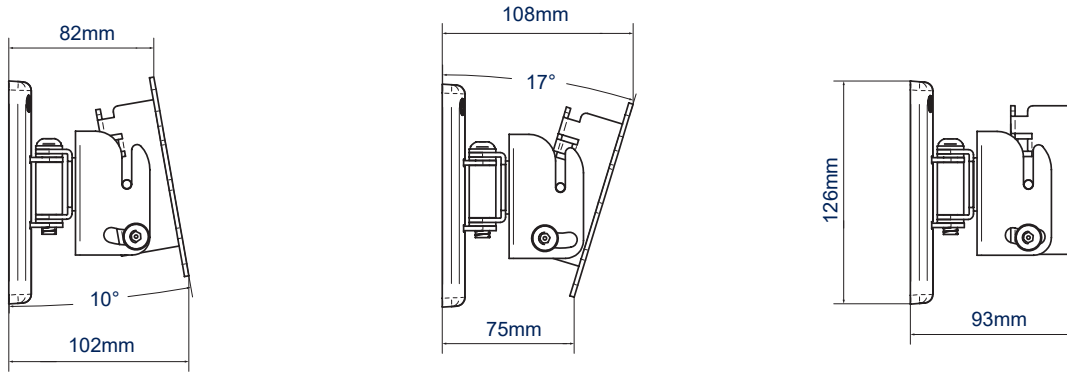
360° Rotation for easy levelling



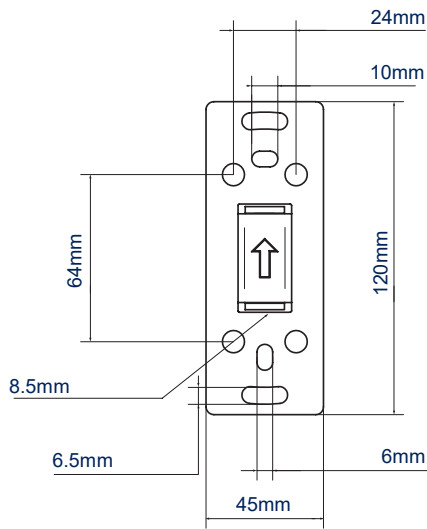
50° swivel when wall mounted



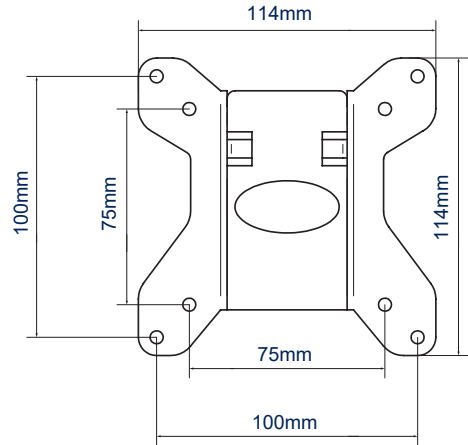
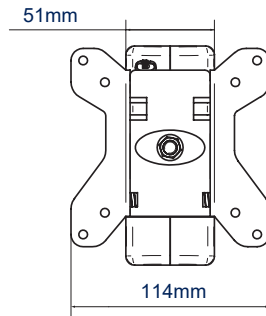
Security locking screws provided



SIDE VIEW - TILT RANGE



FRONT VIEW - WALL PLATE



FRONT VIEW - INTERFACE PLATE

PACKING INFORMATION

COLOUR:	ORDER REF:	EAN CODE:	MASTER CARTON QTY:	INNER CARTON QTY:	MASTER CARTON WEIGHT:	MASTER CARTON CUBE:
Black	BT7518/B	5019318751806	16	0	13.8kg	0.026cbm

ACCESSORIES AND SIMILAR PRODUCTS TO THE BT75 18

<p>BT7512</p>	<p>BT7511</p>	<p>BT7542</p>	<p>BT7841</p>
----------------------	----------------------	----------------------	----------------------

Single Arm Wall Mount with Tilt & Swivel Designed for screens up to 28"

Flat Screen Wall Mount with Tilt Designed for screens up to 28"

VESA Adaptor Arms Converts VESA 100 x 100mm to VESA 200 x 100mm

Accessory Collars attaches the mount to Ø50mm poles

© 2015 B-Tech Professional Design & Manufacturing Limited. All rights reserved. This information is provided for informational purposes only. It is not intended to be used as a substitute for professional advice. B-Tech Professional Design & Manufacturing Limited is not responsible for any damage or loss of data caused by the use of this information. B-Tech Professional Design & Manufacturing Limited is not responsible for any damage or loss of data caused by the use of this information. B-Tech Professional Design & Manufacturing Limited is not responsible for any damage or loss of data caused by the use of this information. SS-BT7518-V4-151021