



LOW PROFILE DESIGN

# BT8441

## UNIVERSAL FLAT SCREEN WALL MOUNT



Designed for medium and large sized screens, the BT8441 supports weights up to 80kg and features a low-profile design that mounts screens just 30mm from the wall. The universal interface accommodates mounting patterns up to 455 x 400mm and comes with adjustment screws which allow the screen to be levelled once mounted.

### SPECIFICATION

Recommended screen size	up to 55"
Max load	80kg*
Fits universal patterns	up to 455 x 400mm
Distance from wall	30mm
Colour	Black

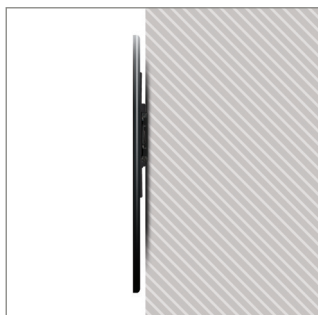
\*Please note the maximum load is reduced to 50kg when single pole mounted

### FEATURES

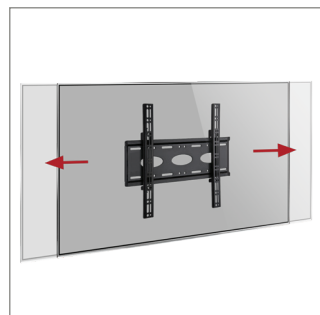
- Lateral adjustment of screen once mounted
- Levelling screws allow adjustment of screen height
- Security locking screws and Allen key to prevent unauthorised screen removal
- Collar compatible ideal for pole mounting
- Simple 'hook-on' installation with all mounting hardware included



55" 140cm | VESA 400 | 80KG | [Icons: Screen, Lock, Adjust]



Low profile design mounts screen only 30mm from the wall



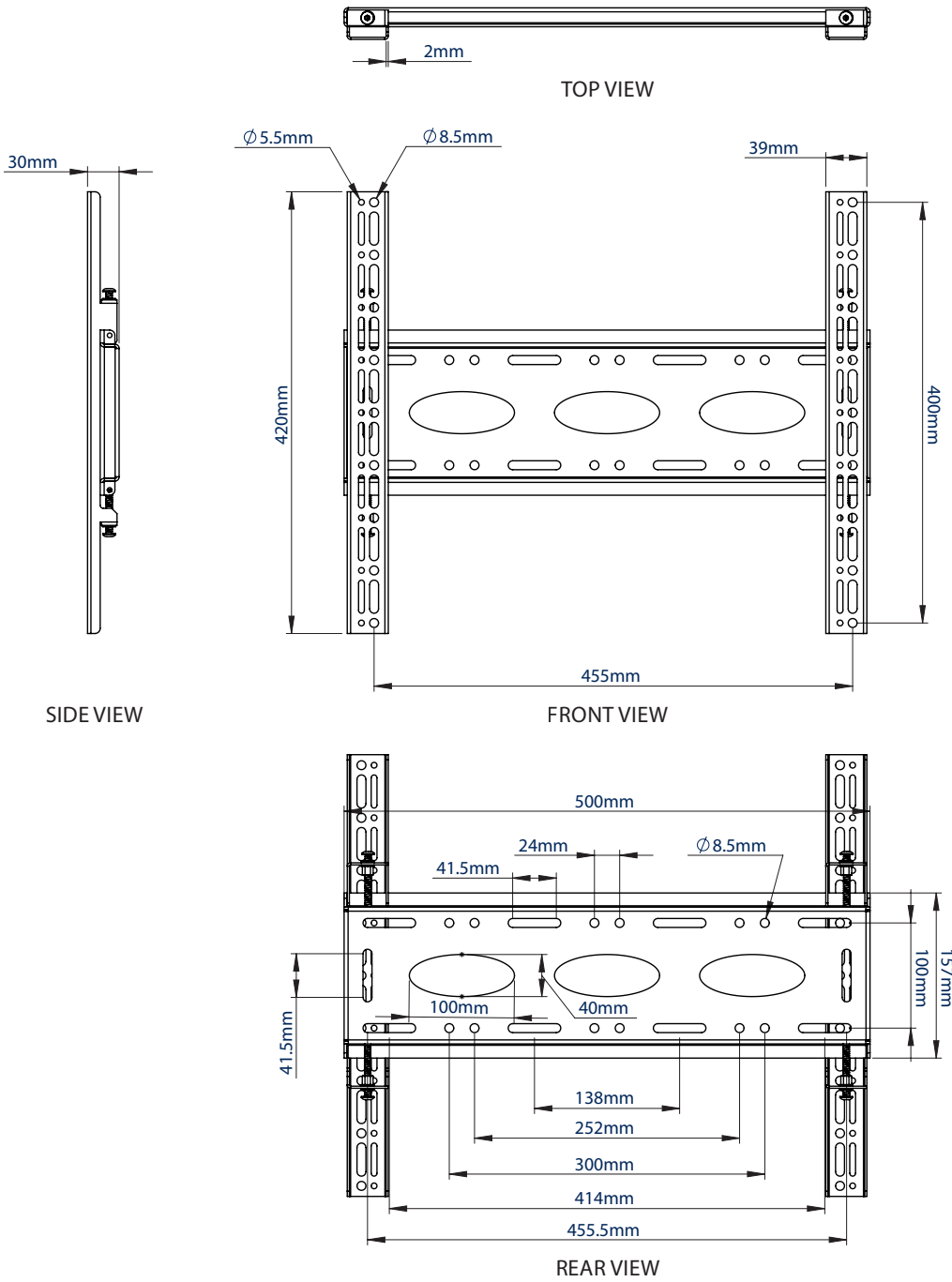
Lateral adjustment of screen once mounted



Levelling screws allow adjustment of screen height



Security locking screws help prevent unauthorised removal of screens



**PACKING INFORMATION**

COLOUR:	ORDER REF:	EAN CODE:	MASTER CARTON QTY:	INNER CARTON QTY:	MASTER CARTON WEIGHT:	MASTER CARTON CUBE:
Black	BT8441/B	5019318651205	4	0	12.8kg	0.0211cbm

**RELATED PRODUCTS**

<p><b>BT7822</b></p>	<p><b>BT7850</b></p>	<p><b>BT7851</b></p>	<p><b>BT7841</b></p>
<p><b>Heavy Duty Floor / Ceiling Mount for ø50mm poles</b></p>	<p><b>50mm Diameter Poles</b> available as 0.25m - 3m in Black, Silver or Chrome</p>	<p><b>Telescopic Ceiling Mount for ø50mm poles</b></p>	<p><b>ø50mm 2-Piece Accessory Collar</b> designed to attach a variety of different mounts and accessories onto B-Tech poles</p>

© 2019 B-Tech Av Mounts. All rights reserved. The information in this document is subject to change without notice. B-Tech Av Mounts and B-Tech logo are registered trademarks of B-Tech Av Mounts Design & Manufacturing Ltd. All other trademarks are the property of their respective owners. B-Tech Av Mounts is not responsible for any damage caused by improper or unauthorized use of its products. Any reproduction or transmission of any part of this specification is strictly prohibited unless prior written permission has been granted by B-Tech Av Mounts Design & Manufacturing Ltd. (B-Tech Av Mounts).

SS-V2-BT8441-050819