



FEATURES
 TILT AND
 SWIVEL

BTV112

FLAT SCREEN WALL MOUNT

WITH TILT & SWIVEL

Designed to mount small sized screens, this wall mount features swivel, tilt and full screen rotation which allows for quick and easy repositioning of the screen as required. Integrated cable management and spirit level help make this a neat and tidy mounting solution which is ideal for home installations as well as commercial applications.

SPECIFICATION

Recommended screen size	up to 28"
Max load	15kg
VESA® compatibility	75 x 75 & 100 x 100
Tilt	+/-15°
Swivel	180°
Screen rotation	360°
Distance from wall	95mm

FEATURES

- Easy tilt and swivel adjustment
- Screen rotation allows screen to be positioned in a landscape or portrait orientation
- Integrated spirit level for easy wall plate levelling during installation
- Integrated cable management
- Simple 'hook-on' installation with all mounting hardware included



Screen mounting up to VESA 100 x 100mm



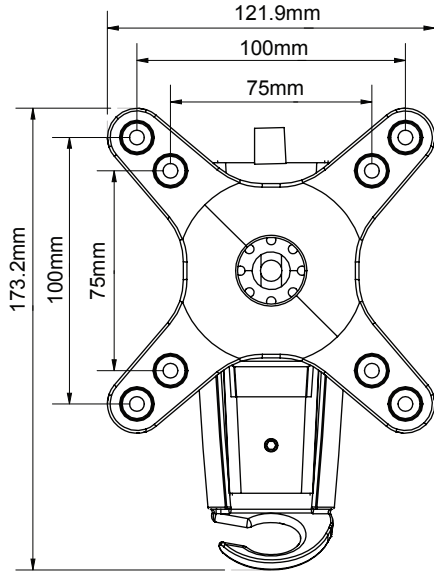
Integrated cable management and spirit level included



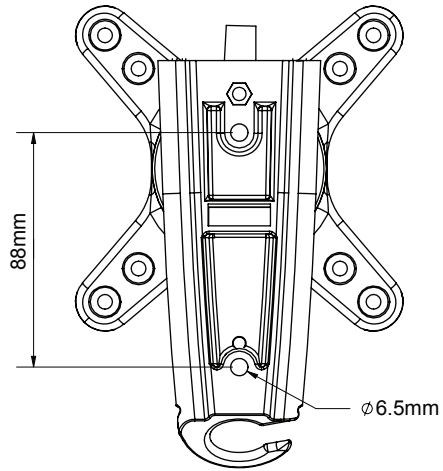
Features swivel and up/down tilt



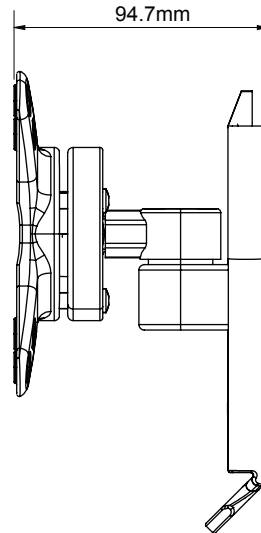
Interface allows screen rotation of 360°



FRONT VIEW



REAR VIEW



SIDE VIEW EXTENDED

PACKING INFORMATION

COLOUR:	ORDER REF:	EAN CODE:	MASTER CARTON QTY:	INNER CARTON QTY:	MASTER CARTON WEIGHT:	MASTER CARTON CUBE:
Black	BTV112/B	5019318440571	12	0	10.20kg	0.031cbm

ACCESSORIES AND SIMILAR PRODUCTS TO THE BTV112

<p>BTV920</p>	<p>BTV113</p>	<p>BTV502</p>	<p>BT7518</p>
----------------------	----------------------	----------------------	----------------------

AV Component Shelf Adjustable shelf designed for all common AV equipment

Single Arm Wall Mount with Tilt & Swivel designed for screens up to 23"

Flat Screen Wall Mount with Tilt & Swivel designed for screens up to 42"

Flat Screen Wall Mount with Tilt & Swivel designed for screens up to 23"

© 2016 B-Tech Av Mounts. All rights reserved. The information in this specification reflects the current technical specifications at the time of print. We reserve the right to change the technical or physical specifications without prior notice. This is not intended to be a contract. B-Tech Av Mounts is not responsible for any damage caused by improper or unauthorized installation, use, or modification of any part of this specification. B-Tech Av Mounts is not responsible for any damage caused by improper or unauthorized installation, use, or modification of any part of this specification. B-Tech Av Mounts is not responsible for any damage caused by improper or unauthorized installation, use, or modification of any part of this specification.

SS-BTV112-V2 - 060819