



**FEATURES
TILT AND
SWIVEL**

BTV502

FLAT SCREEN WALL MOUNT WITH TILT & SWIVEL

Designed to mount small to medium sized screens, this wall mount features swivel, tilt and full screen rotation which allows for quick and easy repositioning of the screen as required. Integrated cable management and spirit level help make this a neat and tidy mounting solution which is ideal for home installations as well as commercial applications.

SPECIFICATION

Recommended screen size	up to 47"
Max load	25kg
VESA® compatibility	up to 200 x 200
Tilt	+/-15°
Swivel	180°
Screen rotation	360°
Distance from wall	95mm

FEATURES

- Easy tilt and swivel adjustment
- Integrated spirit level for easy wall plate levelling during installation
- Integrated cable management
- Simple 'hook-on' installation with all mounting hardware included



47"
120cm

VESA
200

25KG

15°
15°

180°

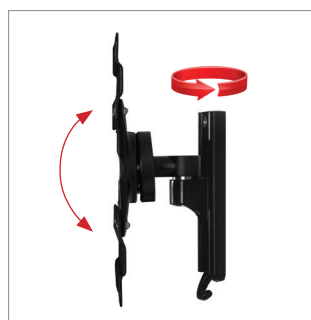
360°



Screen mounting up to VESA 200 x 200mm



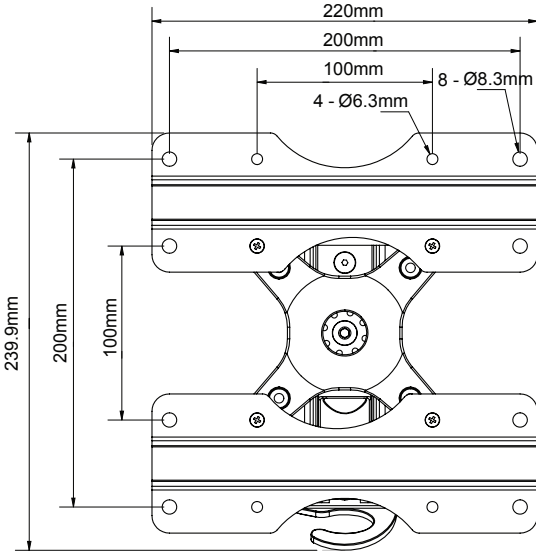
Integrated cable management and level bubble included



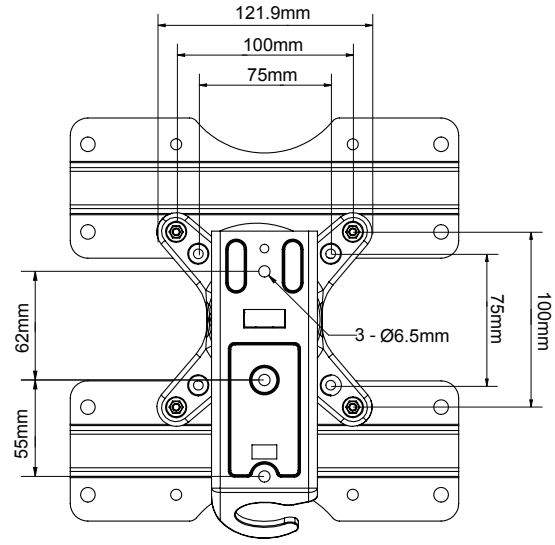
Features swivel and up / down tilt



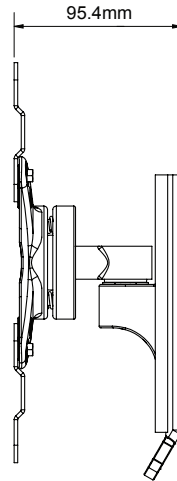
Interface allows screen rotation of 360°



FRONT VIEW



REAR VIEW



SIDE VIEW

PACKING INFORMATION

COLOUR:	ORDER REF:	EAN CODE:	MASTER CARTON QTY:	INNER CARTON QTY:	MASTER CARTON WEIGHT:	MASTER CARTON CUBE:
Black	BTV502/B	5019318440601	8	0	16.52kg	0.063cbm

ACCESSORIES AND SIMILAR PRODUCTS



BTV914
Universal Soundbar Mount fits directly to BTV502 to mount a Soundbar under your screen



BTV503
Single Arm Wall Mount with Tilt & Swivel designed for screens up to 47"



BT7514
Single Arm Wall Mount with Tilt & Swivel designed for screens up to 47"



BT7534
Single Arm Wall Mount with Tilt & Swivel designed for screens up to 50"

© 2016 B-Tech Consumer Products, All rights reserved.
The information in this specification is current technical specifications at the time of print.
We reserve the right to change the technical or physical specifications without prior notice. This B-Tech name and logo technology are registered trademarks of B-Tech International Ltd.
B-Tech accepts no liability for loss or damage caused by improper or incorrect installation, use, or modification of the product. Any reproduction or transmission or replication of any part of this specification is strictly prohibited unless prior written permission has been granted by B-Tech International Ltd. (BTL)

SS-BTV502-V2-060819